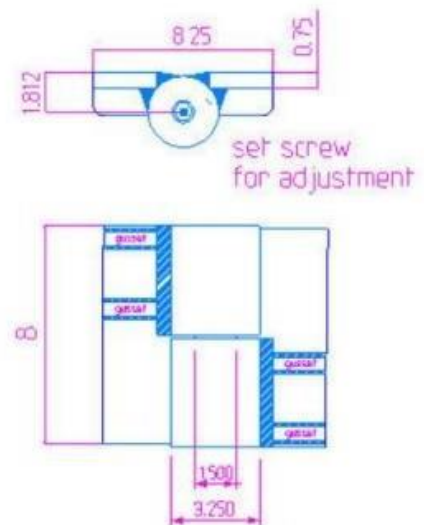
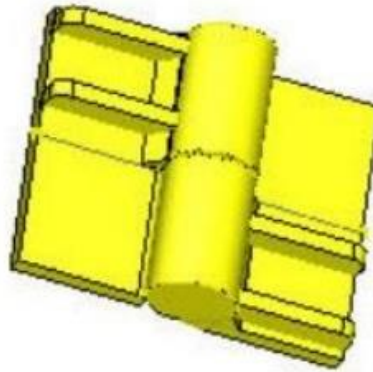
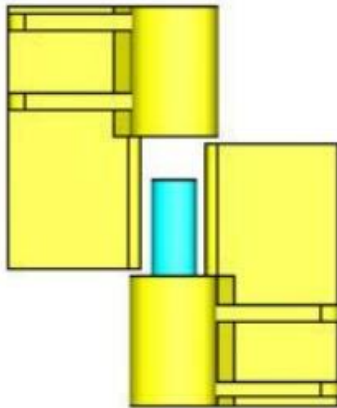
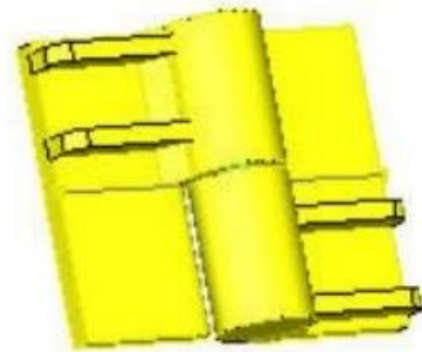


# 8" x 8 1/4" Carbon Steel Heavy Duty Hinges

Model Number: 2150 LH

Price: \$ 1470

- Maximum Door Weight: 13,000 LBS
- Maximum Radial Load: 6,820 LBS
- Approx. Width: 8 1/4"
- Height: 8"
- Leaf Thickness: 3/4"
- Weight: 33 LBS
- Mount: Weld On
- Material Type: Carbon Steel
- Finish: Primer



## Kiesler Machine Inc

13700 Chrissy Lane NE  
Palmyra, IN. 47164-8768

## Contact Info :

info@kieslermachine.com  
Toll-Free : 888-565-6610  
Phone : 812-364-6610



Smoother Than The Rest  
Guaranteed!

Data Provided For Reference Only.